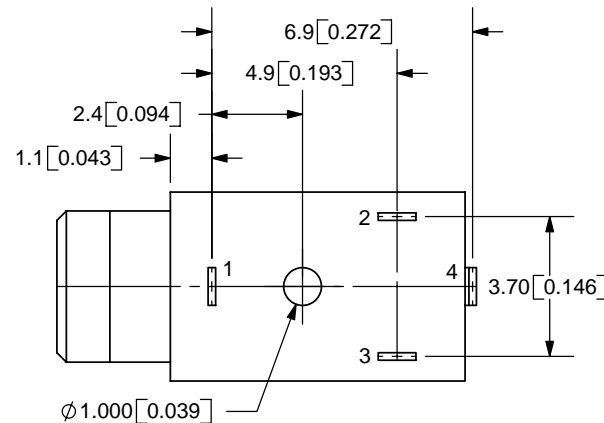
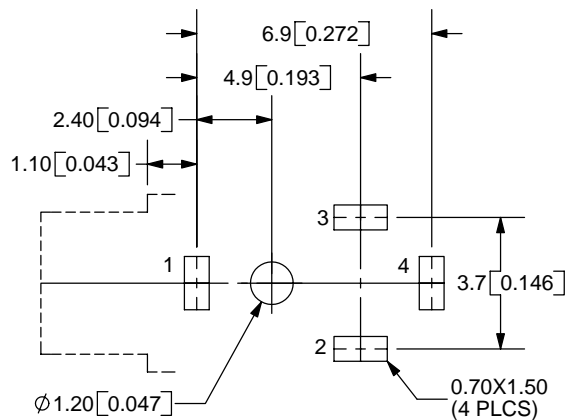
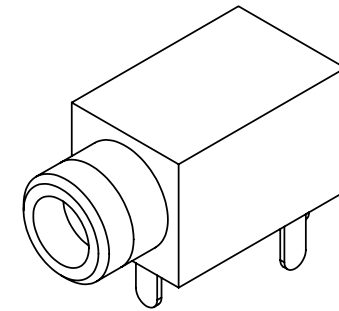
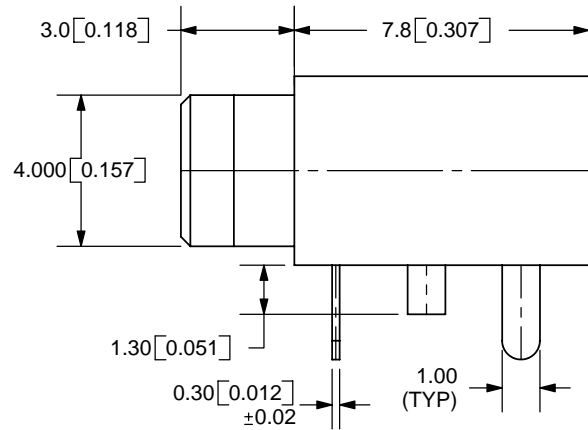
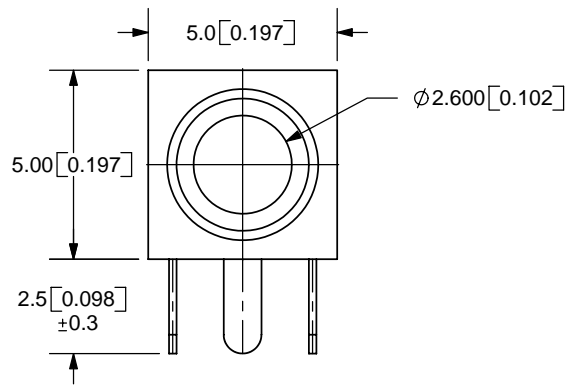


REV.	DESCRIPTION	DATE
A	NEW DRAWING	10/27/2005



TOLERANCE:
X.X ±0.2mm
X.XX ±0.1mm
X.XXX ±0.05mm



PCB LAYOUT
TOP VIEW

SPECIFICATIONS:
CONTACT RESISTANCE: 100m OHMS MAX
INSULATION RESISTANCE: 100M OHMS MIN: 500V DC
VOLTAGE WITHSTAND: 500V AC R.M.S. FOR 1 MINUTE
LIFE: 5,000 CYCLES

MODEL NO.	SJ1-2503A
SCHMATIC	

	MATERIAL	PLATING
TERMINAL 1	Brass	Tin
TERMINAL 2	Copper Alloy	Tin
TERMINAL 3	Copper Alloy	Tin
TERMINAL 4	Copper Alloy	Tin
BUSHING	Brass	Nickel
HOUSING	PBT	



20050 SW 112th Ave.
Tualatin, OR 97062
Phone: 503-643-4899
800-275-4899
Fax: 503-372-1266
Website: www.cui.com

TITLE:	2.5mm STEREO JACK	REV:	A
PART NO.	SJ1-2503A	UNITS:	MM [INCHES]
DRAWN BY:	ZRJ	APPROVED BY:	
		SCALE:	4:1

PC FILE NAME:
SJ1-2503A

COPYRIGHT 2006 BY CUI INC.